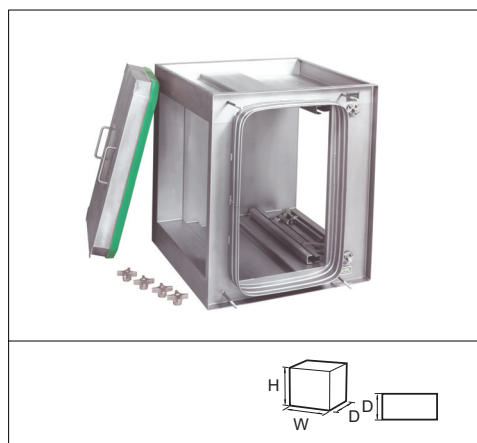


CamContain™ GB Housing (gasket seal)



Advantages

- Positive sealing integrity in a side access bag-in/bag-out housing for gasket seal Absolute® filters
- 1400 pounds of gasket-sealing pressure ensures complete capture of airborne contaminants

Typical applications: Chemical manufacturing facilities, food processing, genetic research and biotechnology facilities, hospital isolation suites to prevent the spread of infectious diseases, industrial processes exhaust, microelectronic and semiconductor facilities, nuclear power plants, pharmaceutical facilities, radioisotope handling facilities, university research laboratories, US Department of Energy Facilities, veterinary research and animal disease laboratories, and specific United States Government and military facilities.

Construction: Containment level housing. See Product Sheet 3402 for construction details.

Filters: Gasket seal Absolute® filters or HEGA filters.

Additional data: Information shown herein for quick reference purposes only. Application specific data is required by the factory before model selection can be accomplished.

Consult factory or Literature 3402 for more information.

Dimensions 012-1GB

Housing Size (H x W)	Prefilter depth (inches)	Primary filter depth (inches)	Housing depth (inches)	Housing height (inches)	Housing width (inches)	Weight
1 x 1	N/A		27			230
1 x 2	N/A		51	30		345
1 x 3	N/A		75			460
2 x 1	N/A		27			410
2 x 2	N/A		51	60		615
2 x 3	N/A		75			805
3 x 1	N/A	12	27		26	590
3 x 2	N/A		51	90		880
3 x 3	N/A		75			1150
4 x 1	N/A		27			765
4 x 2	N/A		51	120		1145
4 x 3	N/A		75			1497

As part of our program for continuous improvement, Camfil reserves the right to change specifications without notice. 2018-12-07

**Housings (Containment)
Dimensions 016-1GB**

Housing size (H x W)	Prefilter depth (inches)	Primary filter depth (inches)	Housing depth (inches)	Housing height (inches)	Housing width (inches)	Weight
½ x ½	N/A		15			135
½ x 1			27	18		175
1 x 1			27			210
1 x 2			51	30		320
1 x 3			75			425
2 x 1			27			375
2 x 2		16	51	60		570
2 x 3			75		26	745
3 x 1			27			540
3 x 2			51	90		815
3 x 3			75			1170
4 x 1			27			700
4 x 2			51	120		1060
4 x 3			75			1390

Dimensions 018-1GB

Housing size (H x W)	Prefilter depth (inches)	Primary filter depth (inches)	Housing depth (inches)	Housing height (inches)	Housing width (inches)	Weight
½ x ½			15			155
½ x 1			27	18		205
1 x 1			27			245
1 x 2			51	30		370
1 x 3			75			485
2 x 1			27			435
2 x 2	N/A	18	51	60		645
2 x 3			75		33	850
3 x 1			27			625
3 x 2			51	90		930
3 x 3			75			1210
4 x 1			27			815
4 x 2			51	120		1210
4 x 3			75			1575

Dimensions 212-1GB

Housing size (H x W)	Prefilter depth (inches)	Primary filter depth (inches)	Housing depth (inches)	Housing height (inches)	Housing width (inches)	Weight
½ x ½			15			135
½ x 1			27	18		175
1 x 1			27			210
1 x 2			51	30		320
1 x 3			75			425
2 x 1			27			375
2 x 2		12	51	60		570
2 x 3	2		75		33	745
3 x 1			27			540
3 x 2			51	90		815
3 x 3			75			1070
4 x 1			27			700
4 x 2			51	120		1060
4 x 3			75			1390



Housings (Containment) Dimensions 216-1GB

Housing size (H x W)	Prefilter depth (inches)	Primary Ffilter depth (inches)	Housing depth (inches)	Housing height (inches)	Housing width (inches)	Weight
½ x ½			15			145
½ x 1			27	18		195
1 x 1			27			230
1 x 2			51	30		345
1 x 3			75			460
2 x 1			27			410
2 x 2	2	16	51	60		615
2 x 3			75		34	805
3 x 1			27			590
3 x 2			51	90		880
3 x 3			75			1150
4 x 1			27			765
4 x 2			51	120		1145
4 x 3			75			1497

Dimensions 218-1GB

Housing size (H x W)	Prefilter depth (inches)	Primary filter depth (inches)	Housing depth (inches)	Housing height (inches)	Housing width (inches)	Weight
½ x ½			15			155
½ x 1			27	18		205
1 x 1			27			245
1 x 2			51	30		370
1 x 3			75			485
2 x 1			27			435
2 x 2	2	18	51	60		645
2 x 3			75		36	850
3 x 1			27			625
3 x 2			51	90		930
3 x 3			75			1210
4 x 1			27			815
4 x 2			51	120		1210
4 x 3			75			1575

Dimensions 212-3GB

Housing size (H x W)	Prefilter depth (inches)	Primary filter depth (inches)	Housing depth (inches)	Housing height (inches)	Housing width (inches)	Weight
½ x ½	2, 4 or 6		15			190
½ x 1			27	18		250
1 x 1			27			300
1 x 2			51	30		450
1 x 3			75			590
2 x 1			27			535
2 x 2		12	51	60		800
2 x 3			75		38	1045
3 x 1			27			770
3 x 2			51	90		1145
3 x 3			75			1500
4 x 1			27			1010
4 x 2			51	120		1495
4 x 3			75			1950

**Housings (Containment)
Dimensions 216-3GB**

Housing size (H x W)	Prefilter depth (inches)	Primary filter depth (inches)	Housing depth (inches)	Housing height (inches)	Housing width (inches)	Weight
½ x ½	2, 4 or 6	16	15	18	42	200
½ x 1			27			265
1 x 1			27	320		
1 x 2			51	30		480
1 x 3			75	630		
2 x 1			27	60		575
2 x 2			51			850
2 x 3			75	1110		
3 x 1			27	825		
3 x 2			51	90		1220
3 x 3			75	1585		
4 x 1			27	120		1080
4 x 2			51			1590
4 x 3			75			2065

Dimensions 218-3GB

Housing size (H x W)	Prefilter depth (inches)	Primary filter depth (inches)	Housing depth (inches)	Housing height (inches)	Housing width (inches)	Weight
½ x ½	2, 4 or 6	18	15	18	44	210
½ x 1			27			275
1 x 1			27	330		
1 x 2			51	30		495
1 x 3			75	650		
2 x 1			27	60		590
2 x 2			51			870
2 x 3			75	1140		
3 x 1			27	850		
3 x 2			51	90		1250
3 x 3			75	1630		
4 x 1			27	120		1110
4 x 2			51			1630
4 x 3			75			2115

As part of our program for continuous improvement, Camfil reserves the right to change specifications without notice. 2018-12-07

